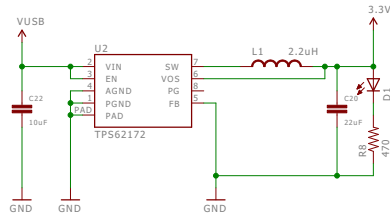
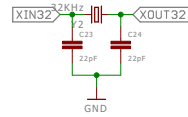


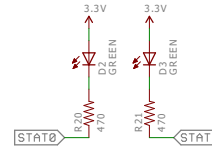
Voltage Regulator



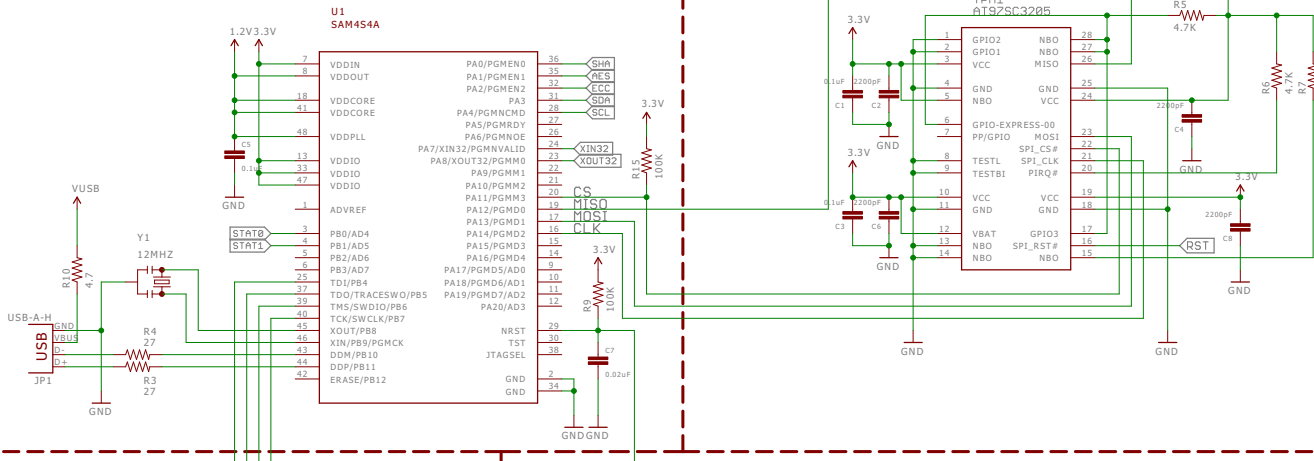
32KHz Crystal



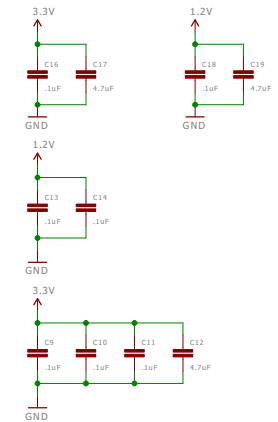
Trusted Platform Module



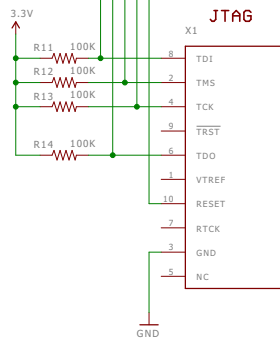
Microcontroller



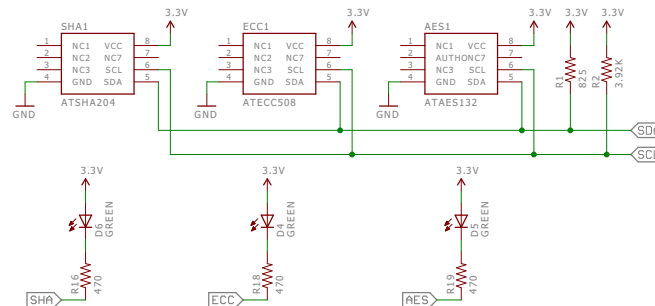
Power Decoupling



JTAG



CryptoAuthentication ICs



Released under the Creative Commons Attribution Share-Alike 3.0 License <http://creativecommons.org/licenses/by-sa/3.0>

TITLE: openTPM-v12

Design by: Jose Angel Torres

REV:

Date: not saved!

Sheet: 1/1