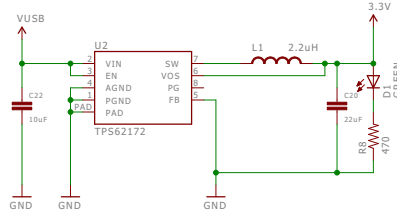
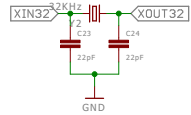


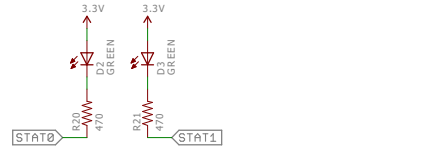
Voltage Regulator



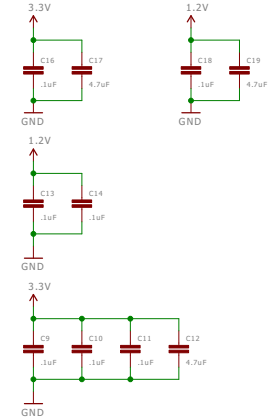
32KHz Crystal



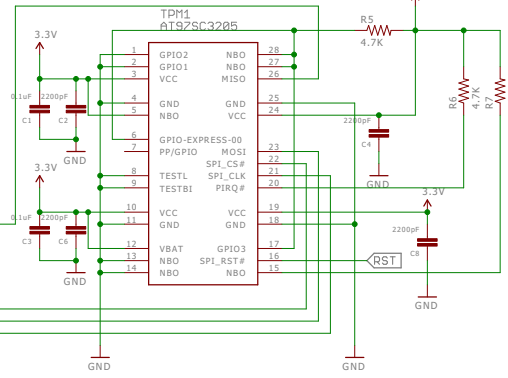
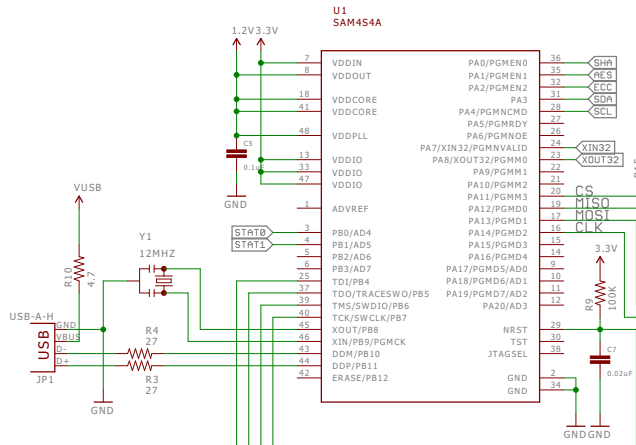
Trusted Platform Module



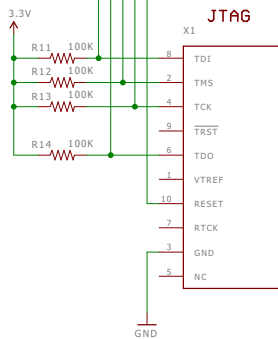
Power Decoupling



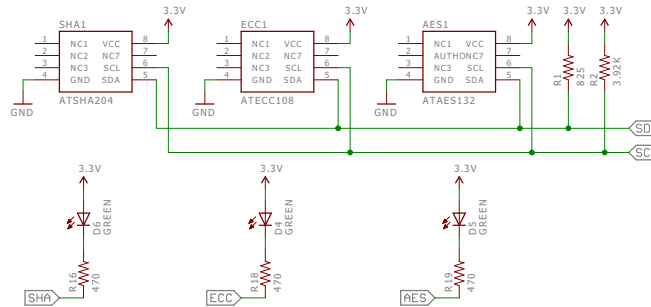
Microcontroller



JTAG



CryptoAuthentication ICs



Released under the Creative Commons Attribution Share-Alike 3.0 License
<http://creativecommons.org/licenses/by-sa/3.0>

TITLE: openTPM

Design by: Jose Angel Torres

REV:

Date: not saved!

Sheet: 1/1

